

## W28

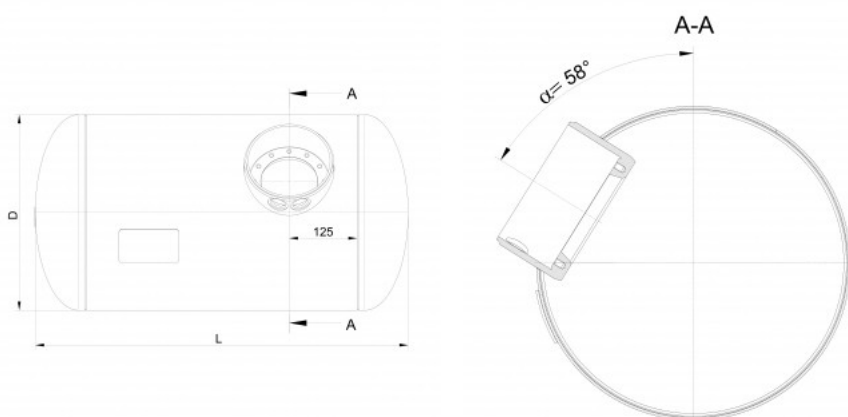
Category: Cylindrical

Type: Fit

Classic cylindrical tanks

Cylindrical tank for 5th generation liquid injection systems. Mounting with frame and straps. This type of tank is usually mounted in the trunk or underbody.

- Design pressure: 30 bar
- Approval: ECE R67
- Large flange for 5th generation multivalve with pump
- Standard color: black RAL 9005



## STAKO))

Part number	Diameter D [mm]	Length L [mm]	Capacity V [ltr]	Capacity V 80% [ltr]	Weight [kg]
W31506028	315	869	60	48	27
W31507028	315	1004	70	56	30
W31508028	315	1139	80	64	33
W31509028	315	1274	90	72	36
W31510028	315	1409	100	80	40
W31511028	315	1544	110	88	43
W36005528	360	632	55	44	24
W36006028	360	686	60	48	25
W36007028	360	789	70	56	28
W36008028	360	892	80	64	31
W36008528	360	944	85	68	32
W36009028	360	996	90	72	34
W36010028	360	1099	100	80	37
W36010528	360	1160	105	84	38
W36011028	360	1203	110	88	40
W36011628	360	1265	116	92	41
W36012028	360	1307	120	96	43
W36013028	360	1411	130	104	45
W36014028	360	1515	140	112	48
W45011828	450	861	118	94	37
W45013828	450	990	138	110	41
W45015828	450	1119	158	126	46
W45017828	450	1248	178	142	51
W45019828	450	1378	198	158	55
W45022828	450	1571	228	182	62