

## W40

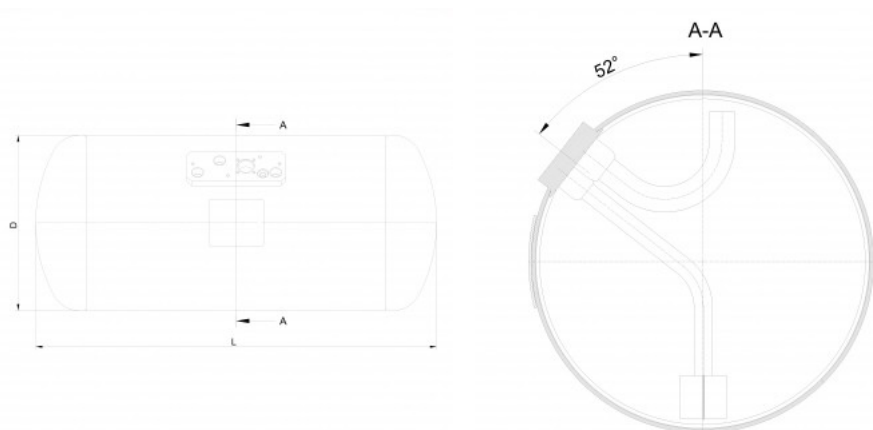
Category: Cylindrical

Type: ASME/CRN

ASME/CRN propane motorfuel cylinders

Cylindrical tank with 5-hole valve plate designed for the North American market. Mounting with straps or custom made brackets. This type of tank is usually mounted in the trunk or underbody in the spare tyre area. Propane liquid takeoff for motor fuel use or vapor take-off for auxiliary purposes.

- Design pressure: 250/312 PSI
- Approval: ASME Code Section VIII, Division I/ CRN
- 5-hole valve plate
- Standard color: grey RAL 7035



**STAKO))**

Part number	Diameter D [mm]	Length L [mm]	Capacity V [ltr]	Capacity V 80% [ltr]	Weight [kg]
W40010033	400	914	100	80	48
W45017333	450	1219	173	138	81